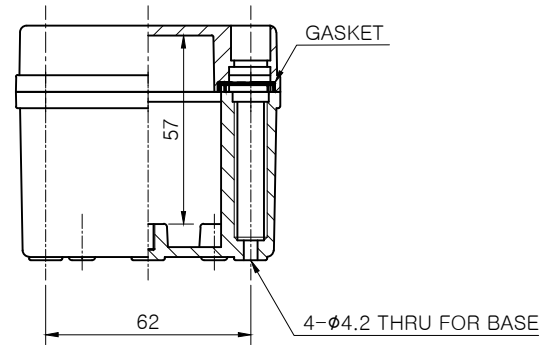
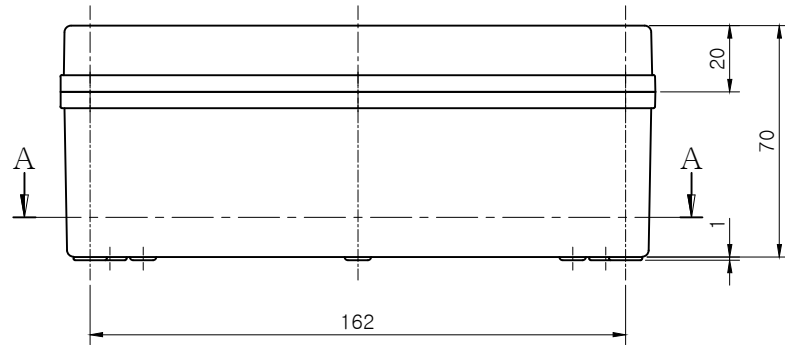


SECTION A-A



Note.

M4 \* 8 Round headed bolt \* 4  
BC-CB20 \* 4

MODEL (모델)	BC-□□S-081807		D R (재도)	JUNG,Y.J.	17.04.03	UNIT (단위)	mm
ASSY (완성 규격)	80 * 180 * 70		C K (검도)	JUNG,Y.J.	17.04.03	SCALE (척도)	1:1.5
DWG NO (도번)	S-081807-03	MATERIAL (재질)	A P (승인)	KIM,D.S.	17.04.04	REV. (개정)	0

